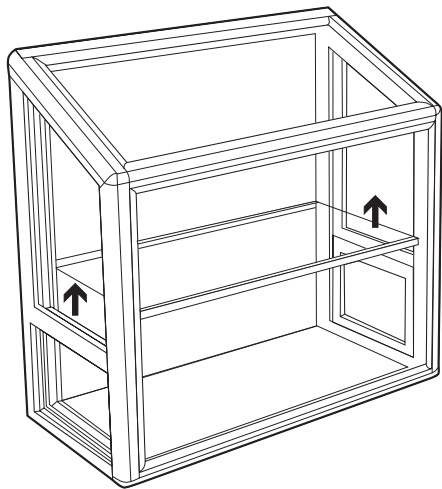


5920 Garden Window

5000
SERIES
CLASSIC VINYL



GARDEN WINDOW

- Min 3°3'

Max 6°5'



5920 Garden Window

5000
SERIES
CLASSIC VINYL



The 5920 series vinyl (PVC) Garden Window offers the outstanding insulating properties, low maintenance, and contemporary aesthetic appeal only vinyl can provide. Available in White and Tan homogenous window frames, the 5920's durable vinyl exterior will never need painting. The windows will maintain their color and shape and can be constructed to your exact size specifications, subject to review.

Like all Milgard windows, doors and skylights, the 5920 Series carries a Full Lifetime Warranty to the original single family homeowner covering both materials and labor.

Commercial and apartment projects are covered by a 10-year warranty from date of manufacture, covering all materials and labor, including the glazing unit.

CONFIGURATIONS

The 5920 series is designed to expand your living area into the outdoors – without letting the outdoors in. The Garden Window projection is 16" and is available with single-hung flankers. Heights under 30" will have fixed flankers. An insulated bottom shelf makes for better protection against the heat and cold. An attractive tempered glass shelf is standard – confirm availability with your Milgard representative.

5920 Garden Window

5000
SERIES
CLASSIC VINYL

COMPONENTS

FRAME

Frame components are made from high performance polyvinyl chloride, available in White and Tan window frames. The 5920 series are designed to offer outstanding visual appeal and low maintenance. Mitered corners are precision welded resulting in an air and water tight seal. The product is ideal for both new construction and for use as a replacement window.

Garden windows must be braced or supported.

NAIL-ON FIN

A 1-1/16" pre-punched nail flange extends around the perimeter frame (except along sill length), securing the window over the rough openings and acting as a part of the flashing system.

WEEP SYSTEM

Hollow sill construction and offset weep baffles release any accumulated moisture from track and help prevent blow back, or water seeping to the interior caused by a combination of wind and rain.

GLAZING MATERIAL

AAMA approved glazing tape adheres glass to the fixed panel frame which seals and cushions the glass. Rigid vinyl setting blocks are used to support the unit above the sill, preventing glass slippage. Extruded vinyl glazing (snap-in) bead is applied around the exterior edge. Glass insulating dual glazed panes, 3/4" in overall thickness, are butyl sealed for energy efficiency. Specialty glass options are available upon request.

VENT PANEL

The vent panel has an "L" shaped lip that fully interlocks with the horizontal meeting rail, adding security and preventing air and water penetration.

WEATHERSTRIPPING

Silicone-treated water-repellent polypropylene fin seal weatherstripping provides a durable, weather tight seal. This weatherstripping is installed in an integral, continuous keyway around the entire perimeter of the vent panel.

LOCKING ASSEMBLY

A cam lock mechanism provides security and a tighter seal.

SCREEN

Screen frames are cambered aluminum, reinforced with rigid plastic corner clips. Screens come standard with matching frame color. The fiberglass charcoal screen mesh is strong, durable and easy to replace. One plastic pull located on the screen allow you to install from inside or outside of house.

ENERGY PACKAGES

Milgard offers two energy efficiency upgrade packages that offer increased U-Value performance. 3D™ and 3D MAX™ use the ENERGY STAR® criteria from each climate zone and utilize materials that are tailored to each individual climate to increase energy efficiency. The combination of the frame material, product design and glazing unit make up the 3 components of the energy packages. The Classic Series receives up to 23% increase in energy efficiency with the 3D MAX package.

Note:

- Packages available in most markets. Please see your local sales representative for details.
- * 3D and 3D MAX energy packages are based on insulated glass units with Single Strength (3/32") and Double Strength (1/8") glass. Some glass thicknesses and internal grid combinations may result in lower energy performance.
- * 3D and 3D MAX energy packages are not included with the 8125 Double Slider, 5621WS Wide Stile Sliding Door, 8225 Double Hung when selecting grids and are currently not available in breather tube applications.

OPTIONS

GRIDS

Available in 5/8" flat aluminum profile.

GLASS

Refer to glass section.

Many more options are available. Please check with your Milgard Representative.

TEST STANDARDS

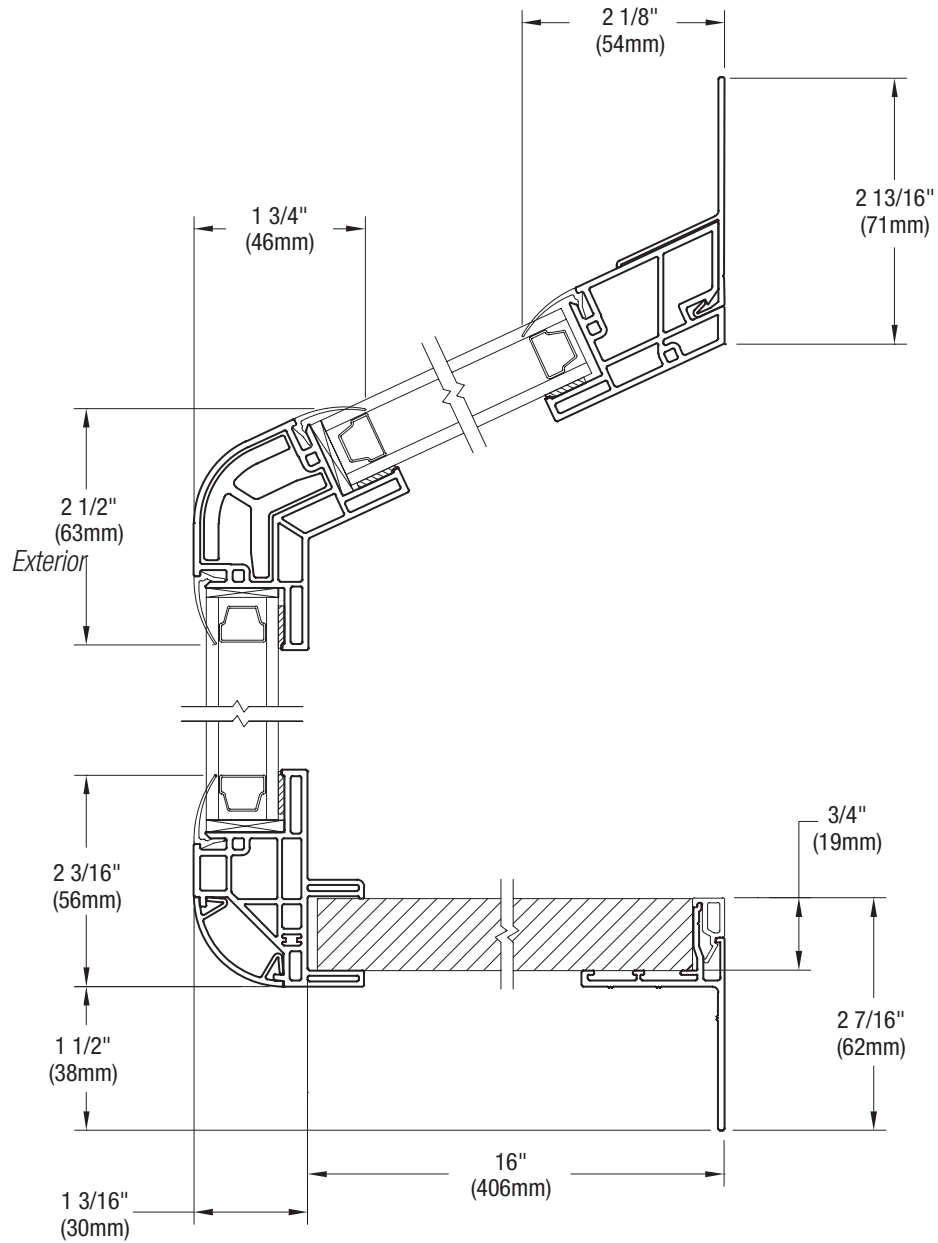
See Test Reports/Energy Ratings section.

Caution: The use of petroleum based fuels or solvents as release agents in stucco wall installations or glass cleaning will chemically attack materials used in seals and other components, and voids the Milgard Warranty. The use of wax based release agents is recommended.

Expanding foam for insulation purposes should not be used. Non-expanding foam or loose packed batt insulation is recommended.

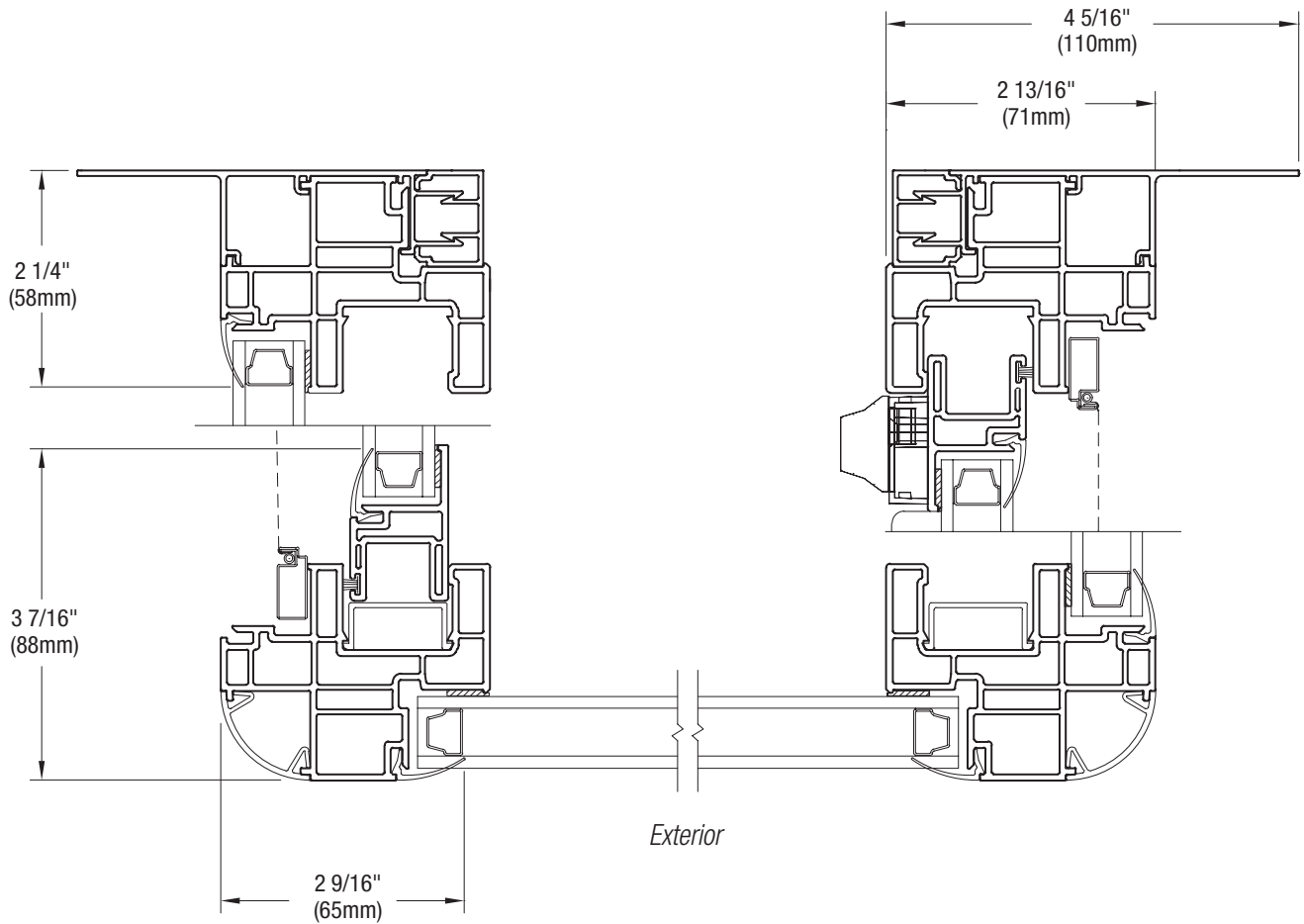
5920 Garden Window Assembly Drawing

Vertical View



5920 Garden Window Assembly Drawing

Horizontal View



Scale: 6" = 1' (1/2 scale)

*Due to continual product research and development, details may be changed at any time. ©2008
Products shown are not available at all locations – confirm availability with your local Milgard representative.*