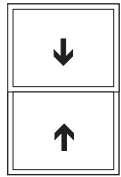
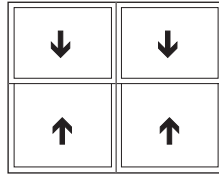


# 7220 Double Bypass Vertical Sliding Windows



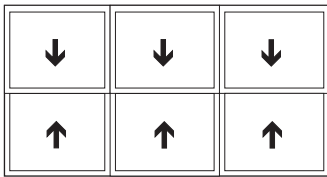
Double-Hung



Double Double-Hung



Double Double-Hung/Center Lite



Triple Double-Hung

**DOUBLE-HUNG**

- Min 1°2'                      Max 3°6' or 4°5'

**DOUBLE DOUBLE-HUNG**

- Min 2°2'                      Max 7°6' or 8°5'

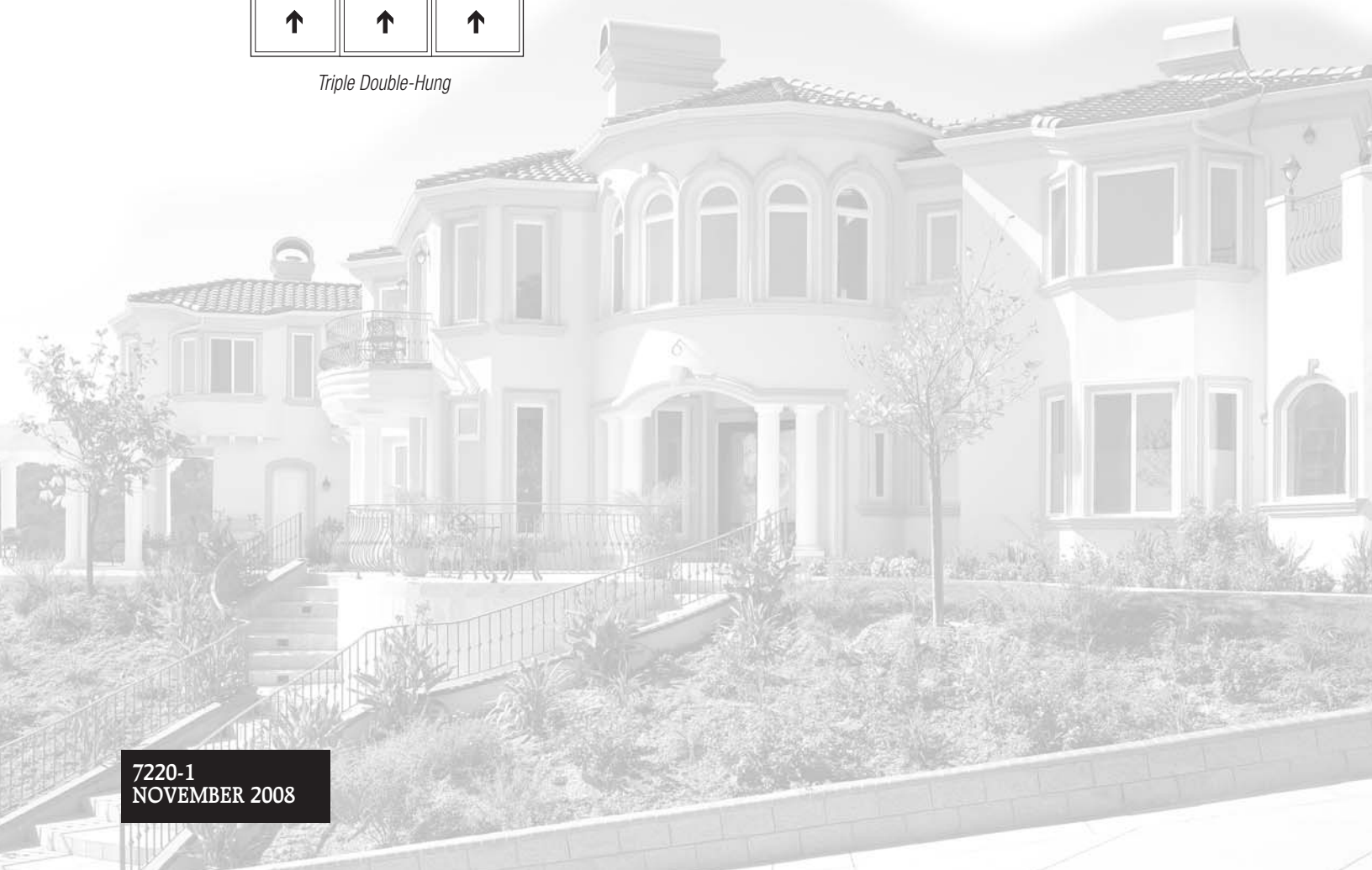
**TRIPLE DOUBLE-HUNG**

- Min 3°2'                      Max 10°6' or 12°5'

Minimum egress is 3°5' or 3°5'

*NOTE: For engineering approval contact your Milgard representative for any configuration over 40 square feet. Each Milgard Manufacturing plant reserves the right to alter or change sizes and configurations according to location capabilities. Ask your Milgard rep about specialty applications.*

*Windows over 40 square feet shipped open for field glazing. Varies by location.*



## 7220 Double Bypass Vertical Sliding Windows

**7000**  
SERIES  
QUIET LINE VINYL



*The 7220 series vinyl (PVC) Single Hung Window offers the outstanding insulating properties, low maintenance, and contemporary aesthetic appeal only vinyl can provide. Available in White or Tan homogenous window frames, the 7220's durable vinyl exterior will never need painting. The windows will maintain their color and shape and can be constructed to your exact size specifications, subject to review.*

*Like all Milgard windows, doors and skylights, the 7220 Series carries a Full Lifetime Warranty to the original single family homeowner covering both materials and labor.*

*Commercial and apartment projects are covered by a 10-year warranty from date of manufacture, covering all materials and labor, including the glazing unit.*

# 7220 Double Bypass Vertical Sliding Windows

7000  
SERIES  
QUIET LINE VINYL

## CONFIGURATIONS

The 7220 series is designed as a double-hung window, where upper and lower sashes both slide up and down within a full perimeter frame. Vertical sliding windows can be used alone or in tandem with radius, gable or picture windows for virtually any combination.

## COMPONENTS

### FRAME

Frame components are made from high performance polyvinyl chloride, available in White or Tan window frames. The 7220 series is designed to offer outstanding visual appeal and low maintenance. Mitered corners are precision welded resulting in an air and water tight seal. Standard frame depth is 4-7/16", ideal for both new construction and for use as a replacement window.

### NAIL-ON FIN

A 1-1/2" pre-punched nail flange extends around the perimeter frame, securing the window in rough openings and acting as a part of the flashing system. The 7220 series offers a removable nailing fin for use as a replacement window in block frame applications. Fin setback is 1" from outside of frame.

### WEEP SYSTEM

Hollow sill construction and offset weep baffles release any accumulated moisture from track and help prevent blow back, or water seeping to the interior caused by a combination of wind and rain.

### GLAZING MATERIAL

AAMA approved glazing tape adheres glass to the fixed panel and vent frame which seals and cushions the glass. Rigid vinyl setting blocks are used to support the unit above the sill, preventing glass slippage. Extruded vinyl glazing (snap-in) bead is applied around the interior edge. "Interior glazing" makes replacement of glazing unit convenient, and provides equal exterior sight lines.

### GLASS

Insulating dual glazed panes, 3/4" in overall thickness, are butyl sealed for energy efficiency. Specialty glass

options are available upon request.

### VENT PANEL

The vent panel has an "L" shaped lip that fully interlocks with the horizontal meeting rail, adding security and preventing air and water penetration. The vent panel operates on concealed block and tackle balancers, allowing the vent to remain open in any position. The balancer is installed in the jamb on each side of the window and is easily removed for replacement.

### WEATHERSTRIPPING

Silicone-treated water-repellent polypropylene fin seal weatherstripping provides a durable, weather tight seal. This weatherstripping is installed in an integral, continuous keyway around the entire perimeter of the vent panel and meeting rail.

### LOCKING ASSEMBLY

A positive action lock mechanism provides security and a tighter seal. The lock engages when the window is closed.

### SCREEN

Screen frames are cambered aluminum, reinforced with rigid plastic corner clips. Screens come standard with matching frame color. The fiberglass screen mesh is strong, durable and easy to replace. Two aluminum pulls located on the screen allow you to install from inside or outside of house.

## OPTIONS

### GRIDS

Available in 5/8" flat or 1-1/16" sculptured aluminum profiles.

### GLASS

Refer to glass section.

Many more options are available. Please check with your Milgard Representative.

# 7220 Double Bypass Vertical Sliding Windows

**7000**  
SERIES  
QUIET LINE VINYL

## TEST STANDARDS

See Test Reports/Energy Ratings section.

*Caution:*

*The use of petroleum based fuels or solvents as release agents in stucco wall installations or glass cleaning will chemically attack materials used in seals and other components, and voids the Milgard Warranty. The use of wax based release agents is recommended.*

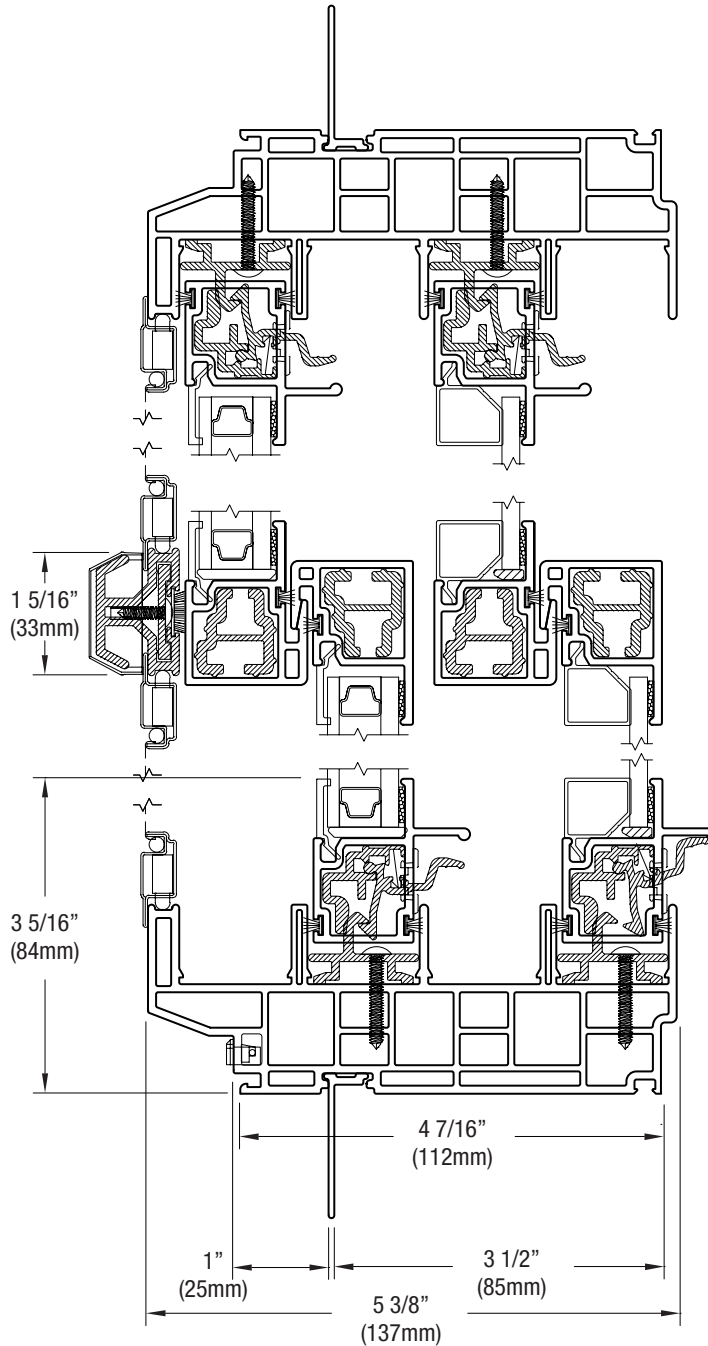
*Expanding foam for insulation purposes should not be used. Loose packed batt insulation is recommended.*

# 7220 Assembly Drawing

**7000**  
SERIES  
QUIET LINE VINYL

Exterior

Vertical View

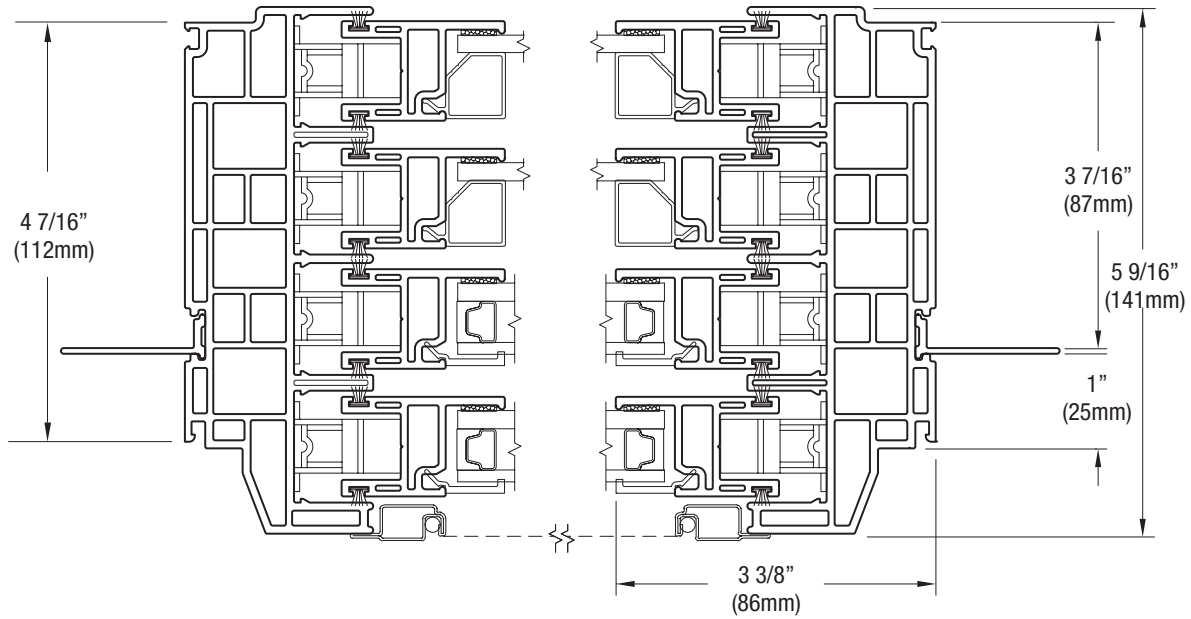


Scale: 6" = 1' (1/2 scale)

# 7220 Assembly Drawing

**7000**  
SERIES  
QUIET LINE VINYL

*Horizontal View*



*Exterior*

Scale:  $6'' = 1'$  (1/2 scale)

*Due to continual product research and development, details may be changed at any time. ©2008  
Products shown are not available at all locations – confirm availability with your local Milgard representative.*