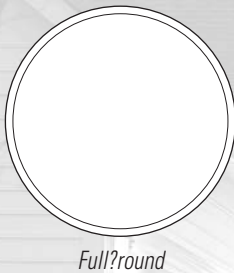
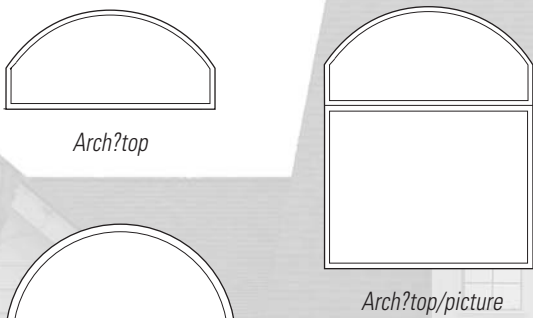
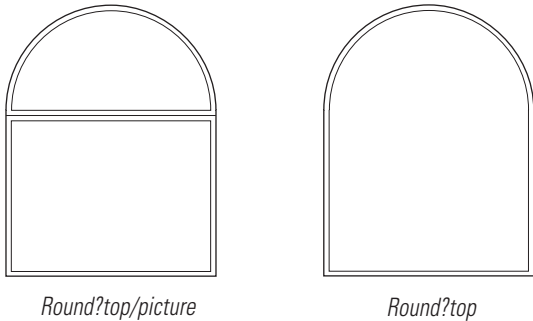
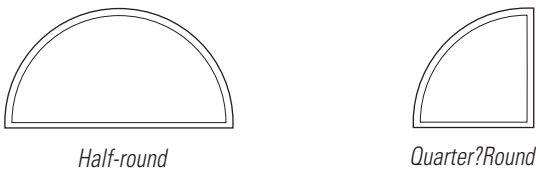
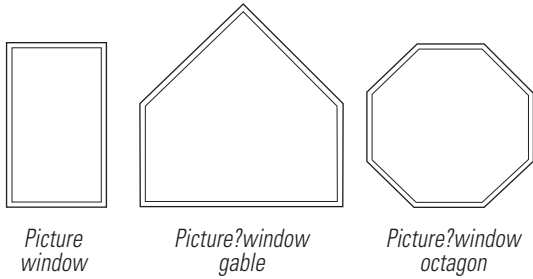


# 7320 Picture/Radius Windows



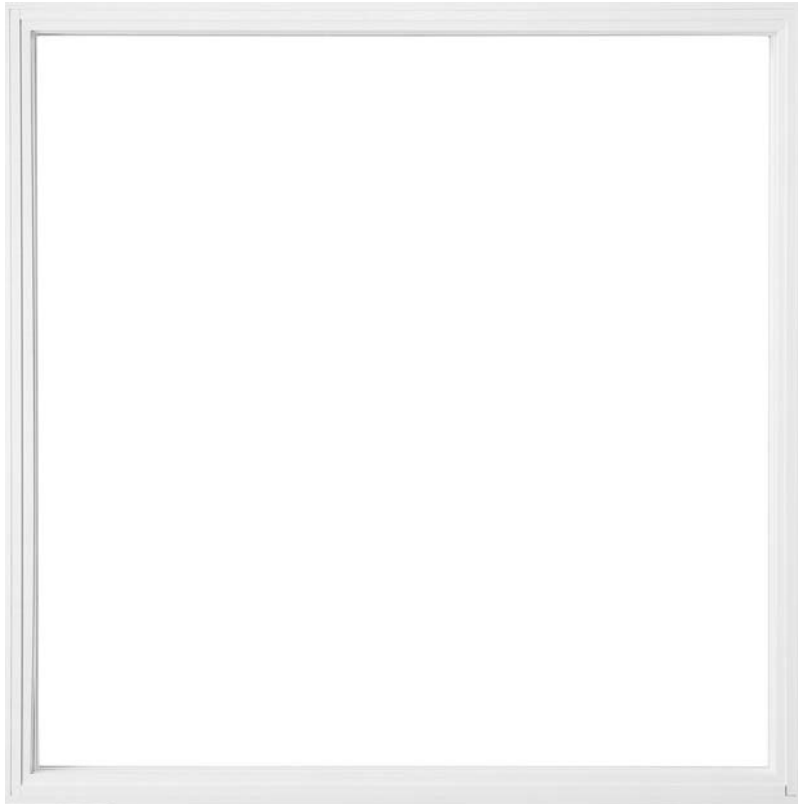
- **PICTURE WINDOW**
  - Min 1°1°      Max 8°6°
- **OCTAGON**
  - Min 2°2°      Max 6°6°
- **HALF ROUNDS**
  - Min 3°1°      Max 8°4°
- **QUARTER ROUNDS**
  - Min 1°1°      Max 6°6°
- **FULL ROUND**
  - Min 3°3°      Max 6°6°
- **ARCH TOPS**
  - 48 square feet maximum
  - Min 2°2°      Max 8°6°
  - must specify leg height and center height
  - minimum 6" leg height

*NOTE: For engineering approval contact your Milgard representative for any configuration over 40 square feet. Each Milgard Manufacturing plant reserves the right to alter or change sizes and configurations according to location capabilities. Ask your Milgard rep about specialty applications.*

*Windows over 40 square feet shipped open for field glazing. Varies by location.*

## 7320 Picture/Radius Windows

**7000**  
SERIES  
QUIET LINE VINYL



*The 7320 series vinyl (PVC) Picture/Radius windows offers the outstanding insulating properties, low maintenance, and contemporary aesthetic appeal only vinyl can provide. Available in White and Tan homogenous window frames, the 7320's durable vinyl exterior will never need painting. The windows will maintain their color and shape and can be constructed to your exact size specifications, subject to review.*

*Like all Milgard windows, doors and skylights, the 7320 Series carries a Full Lifetime Warranty to the original owner covering both materials and labor.*

*Commercial and apartment projects are covered by a 10-year warranty from date of manufacture, covering all materials and labor, including the glazing unit.*

# 7320 Picture/Radius Windows

**7000**  
SERIES  
QUIET LINE VINYL

## CONFIGURATIONS

Milgard's 7320 Series Picture/Radius Windows can be combined with each other or other Milgard vinyl windows to create almost any configuration you can envision. Milgard Picture/Radius Windows are available in custom sizes to match almost any design, either new or retrofit.

- All windows over 40 square feet (location specific) are shipped open (may require multi-lite) and will require field glazing.

## COMPONENTS

### FRAME

Frame components are made from high performance polyvinyl chloride, available in White and Tan window frames. The 7320 series is designed to offer outstanding visual appeal and low maintenance. Mitered corners are precision welded resulting in an air and water tight seal. Standard frame depth is 4-7/16", ideal for both new construction and for use as a replacement window.

### NAIL-ON FIN

A 1-1/2" pre-punched nail flange extends around the perimeter frame, securing the window in rough openings and acting as a part of the flashing system. The 7320 series offers a removable nailing fin for use as a replacement window in block frame applications. Fin setback is 1" from outside of frame.

### WEEP SYSTEM

Hollow sill construction and offset weep gates release any accumulated moisture.

### GLAZING MATERIAL

AAMA approved glazing tape adheres glass to the fixed panel and vent frame and seals and cushions the glass. Rigid vinyl setting blocks are used to support the unit above the sill, preventing glass

slippage. Extruded vinyl glazing (snap-in) bead is applied around the interior edge. "Interior glazing" makes replacement of glazing unit convenient, and provides equal exterior sight lines.

### GLASS

Insulating dual glazed panes, 3/4" in overall thickness, are butyl sealed for energy efficiency. Specialty glass options are available upon request.

### OPTIONS

#### GRIDS

Available in 5/8" flat or 1-1/16" sculptured aluminum profiles sealed between panes.

#### GLASS

Refer to glass section.

Many more options are available. Please check with your Milgard Representative.

### TEST STANDARDS

See Test Reports/Energy Ratings section.

#### *Caution:*

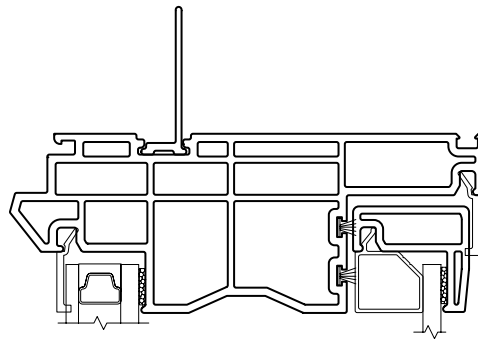
*The use of petroleum based fuels or solvents as release agents in stucco wall installations or glass cleaning will chemically attack materials used in seals and other components, and voids the Milgard Warranty. The use of wax based release agents is recommended.*

*Expanding foam for insulation purposes should not be used. Loose packed batt insulation is recommended.*

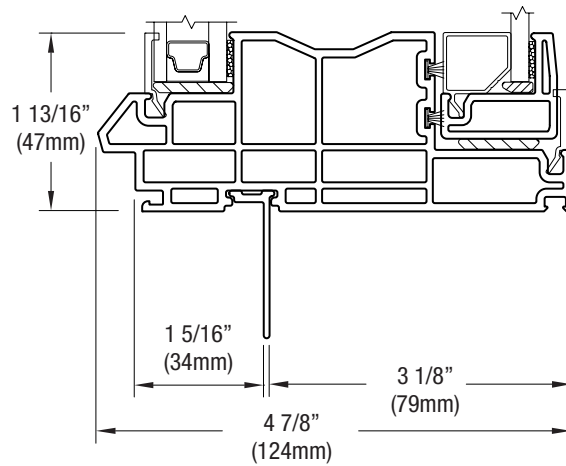


# 7320 Assembly Drawing

Exterior



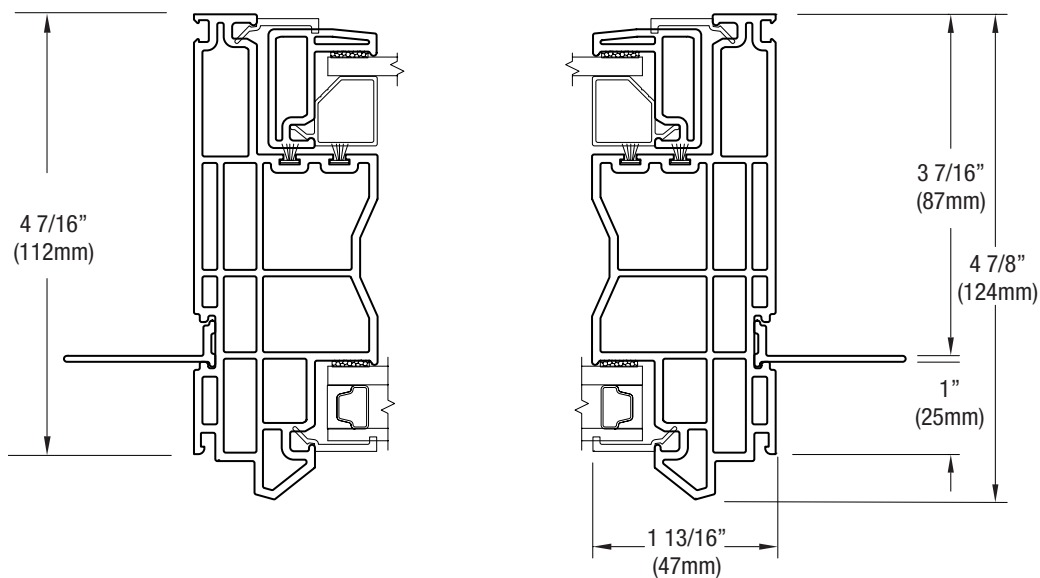
Vertical View



Scale: 6" = 1' (1/2 scale)

# 7320 Assembly Drawing

*Horizontal View*



*Exterior*

Scale: 6" = 1' (1/2 scale)

*Due to continual product research and development, details may be changed at any time. ©2008  
Products shown are not available at all locations – confirm availability with your local Milgard representative.*