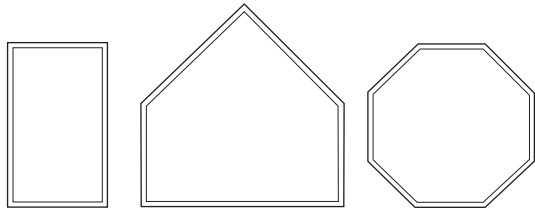


6340 Picture/6310 Radius Windows

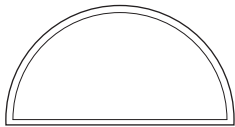
6000
SERIES
STYLE LINE VINYL



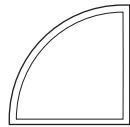
Picture window

Picture?window gable

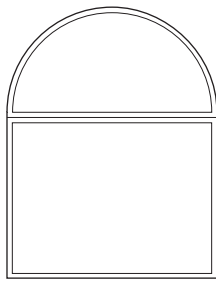
Picture?window octagon



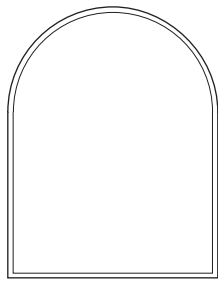
Half-round



Quarter?Round



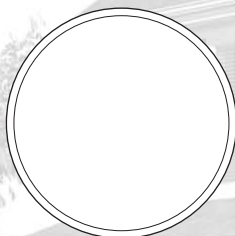
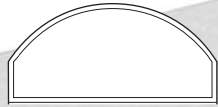
Round?top/picture



Round?top



Arch?top



Full?round

— PICTURE WINDOW

- Min 1°1° Max 8°6°

— OCTAGON

- Min 2°2° Max 6°6°

— HALF ROUNDS

- Min 2°1° Max 8°4°

— QUARTER ROUNDS

- Min 1°1° Max 6°6°

— FULL ROUND

- Min 2°2° Max 6°6°

— ARCH TOPS

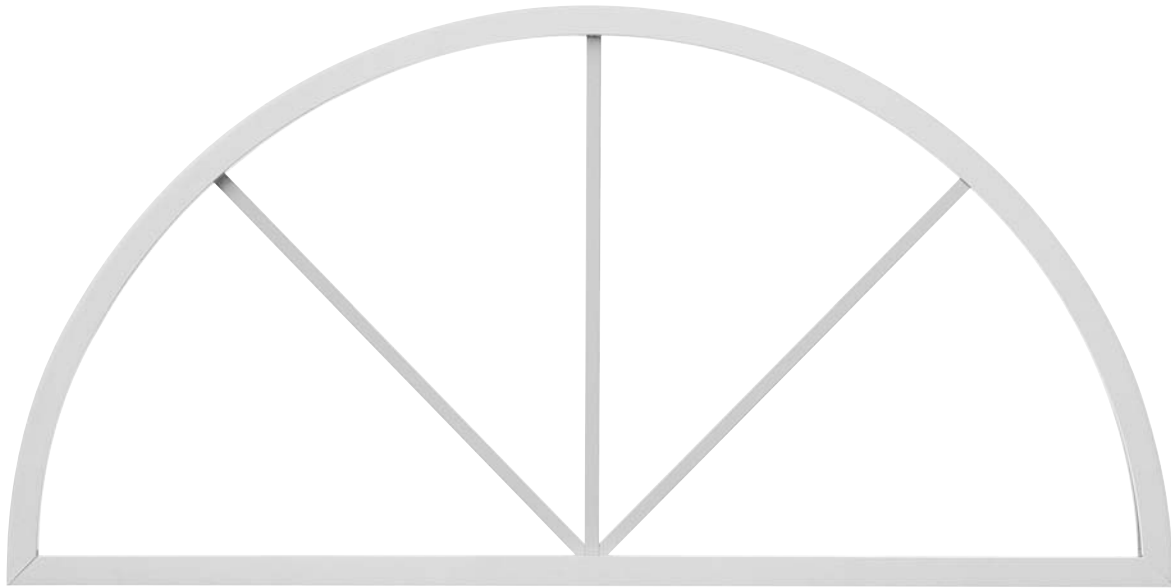
- 48 square feet maximum
- Min 2°2° Max 8°6°
- must specify leg height and center height
- minimum 6" leg height

NOTE: For engineering approval contact your Milgard representative for any configuration over 40 square feet. Each Milgard Manufacturing plant reserves the right to alter or change sizes and configurations according to location capabilities. Ask your Milgard rep about specialty applications.

Windows over 40 square feet shipped open for field glazing. Varies by location.

6340 Picture/6310 Radius Windows

6000
SERIES
STYLE LINE VINYL



The 6340/6310 series vinyl (PVC) Picture/ radius windows blend the energy efficiency and low maintenance of vinyl with the clean lines and low profile appearance of an aluminum window. The result is a more contemporary look with maximum glazing area. Available in White or Tan homogenous window frames, the 6340/6310's durable vinyl exterior will never need painting. The windows will maintain their color and shape and can be constructed to your exact size specifications, subject to review.

Like all Milgard windows, doors and skylights, the 6340/6310 Series carries a Full Lifetime Warranty to the original single family homeowner covering both materials and labor.

Commercial and apartment projects are covered by a 10-year warranty from date of manufacture, covering all materials and labor, including the glazing unit.

CONFIGURATIONS

The 6340/6310 series is designed as a fixed panel. Milgard picture/radius windows are available in custom sizes to match almost any design, either new or retrofit.

6340 Picture/6310 Radius Windows

6000
SERIES
STYLE LINE VINYL

COMPONENTS

FRAME

Frame components are made from high performance polyvinyl chloride, available in White and Tan window frames. The 6340/6310 series is designed to offer a low profile appearance, ideal for contemporary homes or whenever maximum glazing area is desired. Mitered corners are precision welded resulting in an air and water tight seal. Standard frame depth is 2-7/8", ideal for both new construction and for use as a replacement window.

NAIL-ON FIN

A 1-1/16" pre-punched nail flange extends around the perimeter frame, securing the window in rough openings and acting as a part of the flashing system. Fin setbacks are available in 1-3/8" from outside of frame, also in 1" (6330/6331 series) for our SW locations using 3 coat stucco applications (not available at all locations).

WEEP SYSTEM

Hollow sill construction and offset weep holes that release any accumulated moisture.

GLAZING MATERIAL

AAMA approved glazing tape adheres glass to the frame which seals and cushions the glass. Rigid vinyl setting blocks are used to support the unit above the sill, preventing glass slippage. Extruded vinyl glazing (snap-in) bead is applied around the exterior edge.

Glass insulating dual glazed panes, 1" in overall thickness (3/4" for 6310), are butyl sealed for energy efficiency. Specialty glass options are available upon request.

ENERGY PACKAGES

Milgard offers two energy efficiency upgrade packages that offer increased U-Value performance. 3D™ and 3D MAX™ use the ENERGY STAR® criteria from each climate zone and utilize materials that are tailored to each individual climate to increase energy efficiency. The combination of the frame material, product design and glazing unit make up the 3 components of the energy packages. The Style Line Series receives up to 26% increase in energy efficiency with the 3D MAX package.

Note:

- Packages available in most markets. Please see your local sales representative for details.
- 3D and 3D MAX energy packages are based on insulated glass units with Single Strength (3/32") and Double Strength (1/8") glass. Some glass thicknesses and internal grid combinations may result in lower energy performance.
- 3D and 3D MAX energy packages are not included with the 8125 Double Slider, 5621WS Wide Stile Sliding Door, 8225 Double Hung when selecting grids and are currently not available in breather tube applications.

OPTIONS

GRIDS

Available in 5/8" standard. Color-matched to frame. 1-1/16" sculptured grid available in select markets – check with your Milgard representative.

GLASS

Refer to glass section.

Many more options are available. Please check with your Milgard Representative.

TEST STANDARDS

See Test Reports/Energy Ratings section.

Caution: The use of petroleum based fuels or solvents as release agents in stucco wall installations or glass cleaning will chemically attack materials used in seals and other components, and voids the Milgard Warranty. The use of wax based release agents is recommended.

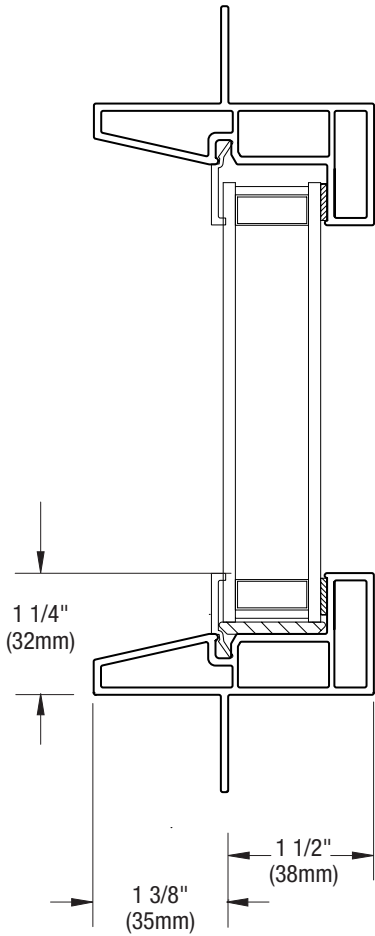
Expanding foam for insulation purposes should not be used.

6340 Assembly Drawing

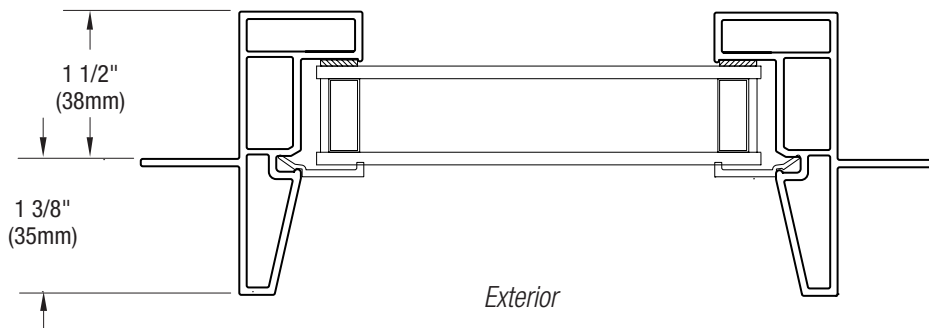
6000
SERIES
STYLE LINE VINYL

Vertical View

Exterior



Horizontal View

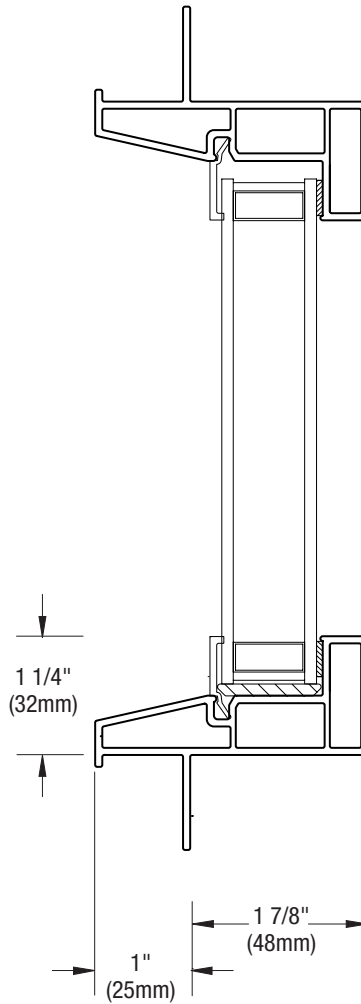


Scale: 6" = 1' (1/2 scale)

6330 Assembly Drawing (SW)

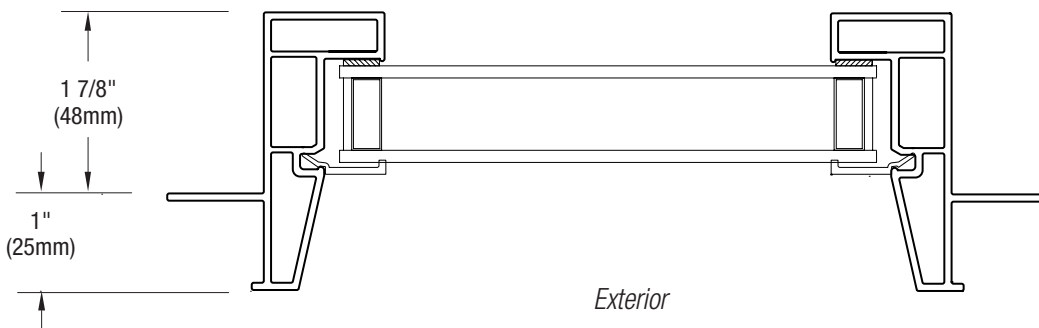
Vertical View

Exterior



Note: 1" Nail fin setback available only in southwest locations. Confirm availability with your Milgard representative.

Horizontal View

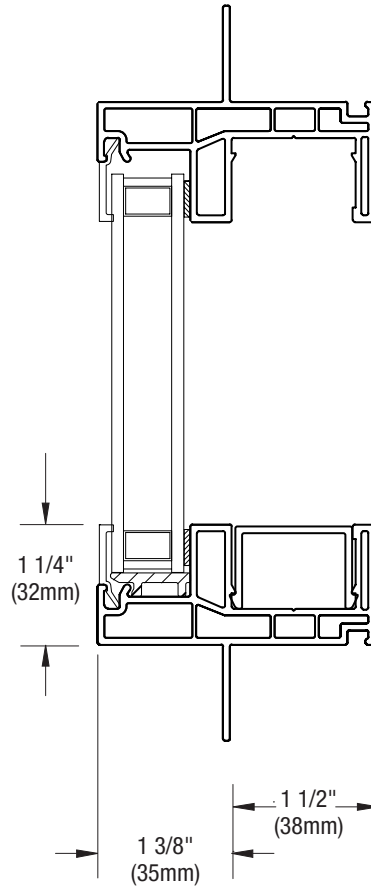


Scale: 6" = 1' (1/2 scale)

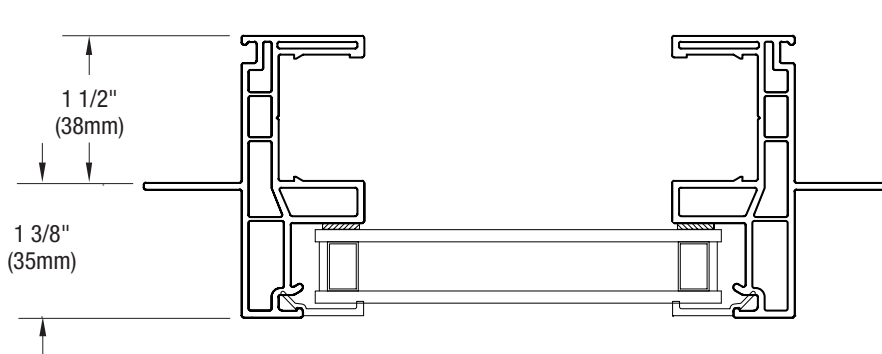
Due to continual product research and development, details may be changed at any time. ©2008 Products shown are not available at all locations – confirm availability with your local Milgard representative.

6310 Assembly Drawing

Exterior



Vertical View



Horizontal View

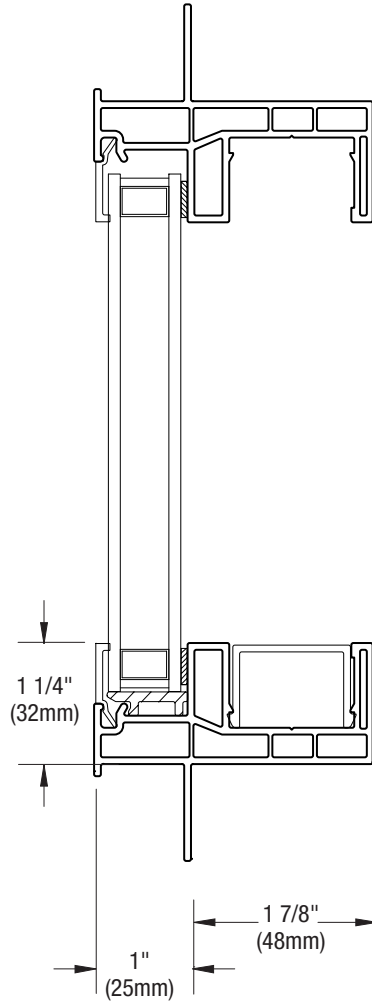
Exterior

Scale: 6" = 1' (1/2 scale)

6331 Assembly Drawing (SW)

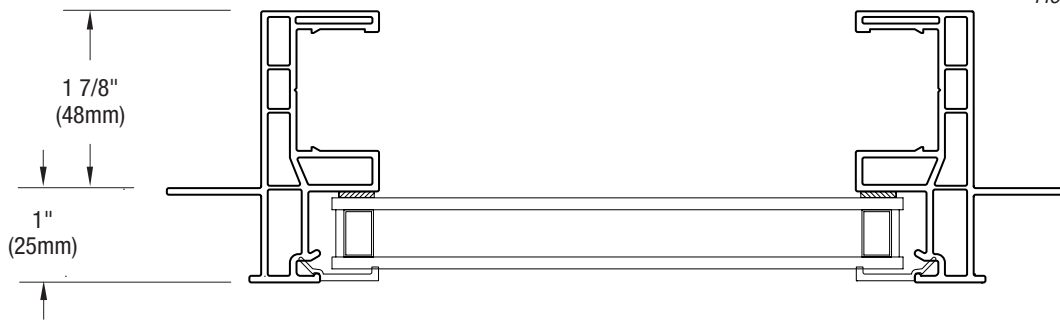
Vertical View

Exterior



Note: 1" Nail fin setback available only in southwest locations. Confirm availability with your Milgard representative.

Horizontal View



Exterior

Scale: 6" = 1' (1/2 scale)

Due to continual product research and development, details may be changed at any time. ©2008 Products shown are not available at all locations – confirm availability with your local Milgard representative.