

**920**

# **Picture/Casement/Awning Windows**



## Picture/Casement/Awning Windows Milgard Aluminum Window

**920**  
SERIES  
ALUMINUM



*Milgard's 920 Series is designed for high performance and maximum strength for architectural applications throughout the West. Ideal for virtually any architectural style of home, the 920 Series offers clean sight lines, maximum glazing area, and requires virtually no maintenance. Its precisely mitered corners provide strength and a detailed appearance with equal margins on all sides.*

*Milgard's Aluminum windows, doors, and skylights carry a Full Lifetime Warranty to the original single family homeowner covering both materials and labor. The Milgard Full Lifetime Warranty is fully transferrable up to 10 years. For complete warranty details visit [milgard.com](http://milgard.com)*

*Commercial, apartment, multi-family, and co-housing projects are covered by a 10-year warranty from date of manufacture, covering materials and labor, including the glazing unit.*

# Picture/Casement/Awning Windows Milgard Aluminum Window

**920**  
SERIES  
ALUMINUM

## CONFIGURATIONS

All 920 Series Casement, Awning, and Picture windows are available in both standard and custom sizes to match virtually any design, either new or retrofit.

## COMPONENTS

### FRAME

Frame components are made from 6063-T5 aluminum alloy with a structural wall thickness of .125", and non-structural wall thickness of .062". The 920 Series utilizes a thermal break for added insulation value. The poured in polyurethane insulator is approximately 1/4" wide at the most narrow point and is used in all frame members. The frame is available in clear and bronze anodized finishes with a standard .4" mil coating thickness, and white baked enamel finish. Wide screw spacing on the mechanically joined corners ensure a rigid connection with a consistent dimension. Corners are sealed for added protection from the weather.

The 920 Series is available with either a standard frame with nail-on fin, or with Milgard's specially designed H-Bar™ frame for wood stop or retrofit application. The standard frame is 2 1/4" in width and the H-Bar is 1-1/4" wide with 5/8" legs that provide a surface area for wood stop installation. Both types utilize 3/4" overall glazing for either fixed or vented sections.

### NAIL-ON FIN

An integral nailing fin extends 1" around the perimeter of the standard frame and is used to attach the window into the rough opening. The fin is scored for complete removal for retrofit/wood stop installations. The fin is set back 1 5/16" from the exterior edge of the frame. The optional H-Bar frame has no nailing fin and must be stopped in the opening.

### WEEP SYSTEM

The rectangular weep holes are located in the frame sill for effective drainage and moisture control.

### GLAZING MATERIAL

AAMA approved glazing tape adheres glass to the fixed and vent frame and seals and cushions the glass. Rigid vinyl setting blocks are used to support the glass-unit, preventing glass slippage and glass-to-metal contact. Extruded vinyl glazing (snapin) bead is applied around the exterior edge. Metal bead is available at some locations.

### GLASS

Glass options are available in 1" overall insulating units in clear, tinted, reflective, obscure, Low-E, and safety glass. Other specialty glass is available upon request. (See Glass Section for types and description.)

### VENT PANEL

The vent features a clean appearance and rigid construction with mitered and mechanically joined corners. Due to weight limitations of the hinging system, the vent is restricted to a maximum size of 12 square feet for awnings and 15 square feet for casements.

### HINGES

Two types of hinges are available with the 920 Series, one standard and one for egress application. The stainless steel egress hinge allows a full 90 degree rotation opening. The standard hinge is zinc-plated steel with a sliding brass shoe, which is tension adjustable and is completely concealed when the window is in a closed position. Each vent uses two hinges.

### WEATHERSTRIPPING

For Casements and Awnings, a dual durometer vinyl bulb seal surrounds the entire perimeter of the vent frame, creating a positive, weather tight seal.

### LOCKING ASSEMBLY

#### Friction Hardware

– Hand-operated push out latch located on the vent which secures against a polyester strike plate and provides a positive lock and tight seal.

Rotary hardware not available in the Northwest.

Note: Casements over 36" in height two handles are utilized to ensure a tight seal.

### SCREEN

Screen frames are aluminum, finished with three coats of color matched baked polyester for long-term durability. The screen material is an attractive, low maintenance gray fiberglass mesh. Screens are installed on the inside of Casement and Awning windows using four screw-mounted vinyl L-clips that secure through pre-drilled holes in the window frame. A wicket may be inset into the screen, giving access to the lock for vent operation.

## OPTIONS

### GRIDS

Available in 5/8" standard or 1-1/16" sculptured aluminum profiles sealed between panes.

### WARM EDGE SPACER

Spacer available in a standard clear finish or optional bronze or champagne finish in the airspace of the insulating glass units. PGG Intercept™ warm-edge steel spacer available in certain regions (standard in some areas.) Contact your Milgard representative for spacers used in your area.

# Picture/Casement/Awning Windows Milgard Aluminum Window

**920**  
SERIES  
ALUMINUM

## **EGRESS HINGES**

Available upon request.

## **TRUE DIVIDED LITE**

True divided lite configurations are available, subject to production approval.

## **GLASS**

Refer to Glass Section

## **COLORS**

Check with local branch for color options and availability.

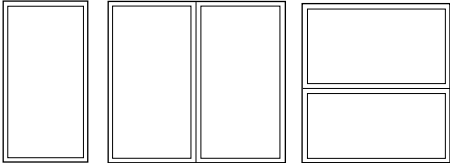
## **TEST STANDARDS**

See Test Data Section

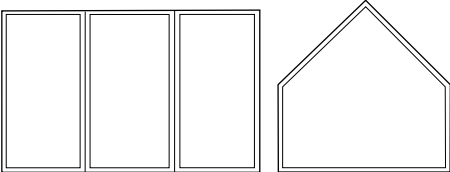
*CAUTION: The use of petroleum based fuels or solvents as release agents in stucco wall installations or glass cleaning will chemically attack materials used in seals and other components, and voids the Milgard Full Lifetime Warranty. The use of wax based release agents is recommended.*

*Expanding foam for insulation purposes should not be used. Non-expanding foam or loose packed batt insulation is recommended.*

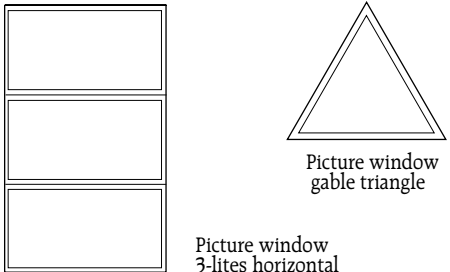
# Picture Windows Milgard Aluminum Window



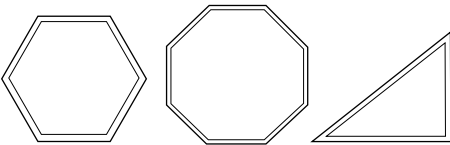
Picture window    Picture window 2-lites vertical    Picture window 2-lites horizontal



Picture window 3-lites vertical    Picture window gable



Picture window 3-lites horizontal



Picture window hexagon    Picture window octagon    Picture window gable 3-sided

— PICTURE WINDOW 2-LITES VERTICAL  
- Min 2'1" Max 8'6" / 10'4"

— PICTURE WINDOW 2-LITES HORIZONTAL  
- Min 1'2" Max 6'8"

— PICTURE WINDOW 3-LITES VERTICAL  
- Min 3'1" Max 10'4"

— PICTURE WINDOW GABLE  
- Min 2'2" Max 8'5" / 10'4"

— PICTURE WINDOW 3-LITES HORIZONTAL  
- Min 1'3" Max 6'8"

— PICTURE WINDOW GABLE TRIANGLE  
- Min 2'2" Max 8'5" / 10'4"

— PICTURE WINDOW HEXAGON/OCTAGON  
- Min 2'2" Max 6'6"

— PICTURE WINDOW GABLE 3 SIDED  
- Min 1'1" Max 8'6"

- Windows over 40 square feet or mullied units over 72 square feet shipped open for field glazing.

- Max single lite is 40 square feet

- Divided lite configurations are available.

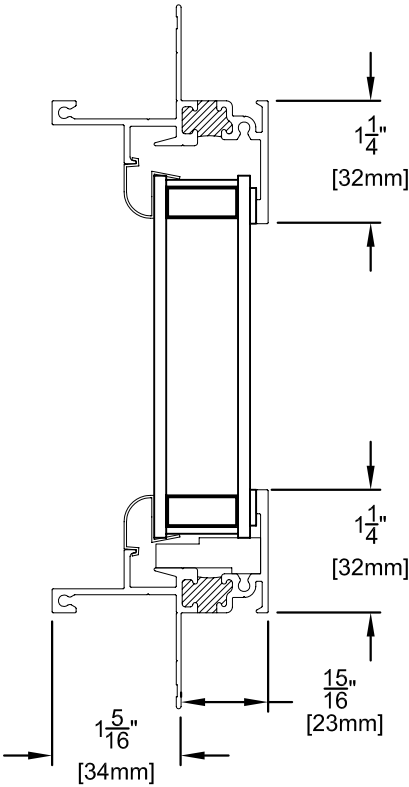
*NOTE: For engineering approval contact your Milgard representative for any configuration over 40 square feet. Each Milgard Manufacturing plant reserves the right to alter or change sizes and configurations according to location capabilities. Ask your Milgard rep about specialty applications and size limits for other configurations.*

*Windows over 40 square feet shipped open for field glazing.*

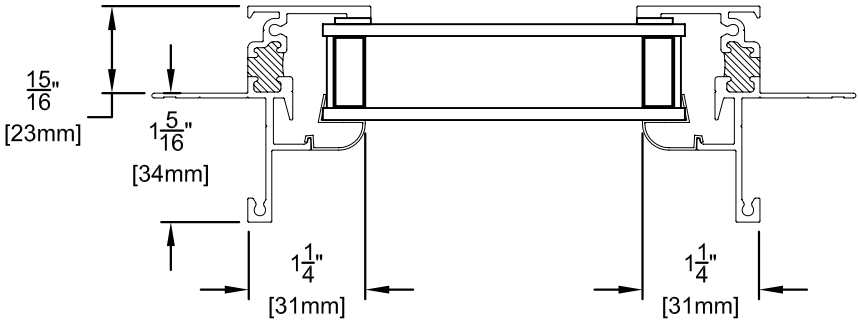
\*Windows viewed from exterior

# 920 Picture Window Aluminum Assembly Drawing

*Vertical View*



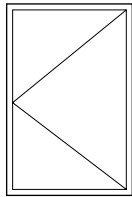
*Horizontal View*



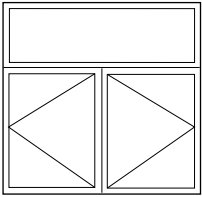
Scale: 6" = 1' (1/2 scale)

Due to continual product research and development, details may be changed at any time. ©2009  
Products shown are not available at all locations – confirm availability with your local Milgard representative.

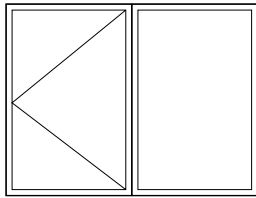
# Casement Windows Milgard Aluminum Window



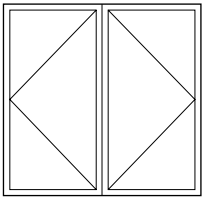
Full casement



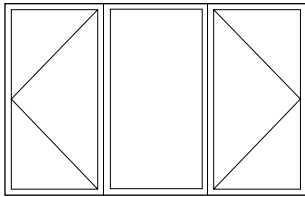
Double-bottom casement



Single casement



Double casement



Double casement/picture

**FULL CASEMENT**

- Min width 1' Max width 2'
- Min height 1' Max height 5'

**DOUBLE CASEMENT**

- Min width 4' Max width 5'
- Min height 1' Max height 5'

**DOUBLE CASEMENT W/PICTURE**

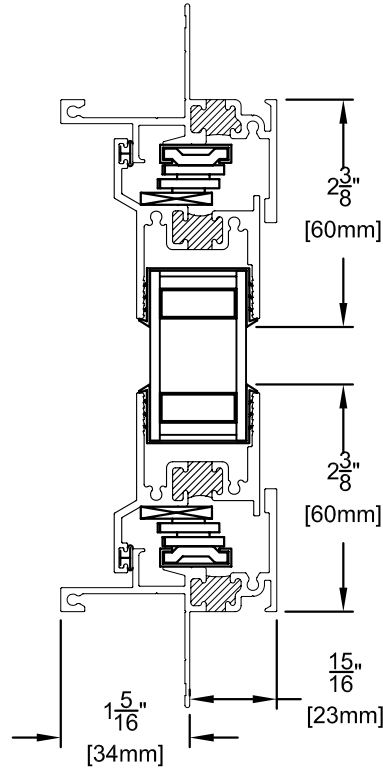
- Min width 3' Max width 12'
- Min height 1' Max height 5'
- Equal leg frame available
- Egress hinges available - minimum egress 2'3" and 2'4"
- Divided lite configurations are available
- Hinge left or right

*NOTE: For engineering approval contact your Milgard representative for any configuration over 40 square feet. Each Milgard Manufacturing plant reserves the right to alter or change sizes and configurations according to location capabilities. Ask your Milgard rep about specialty applications and size limits for other configurations.*

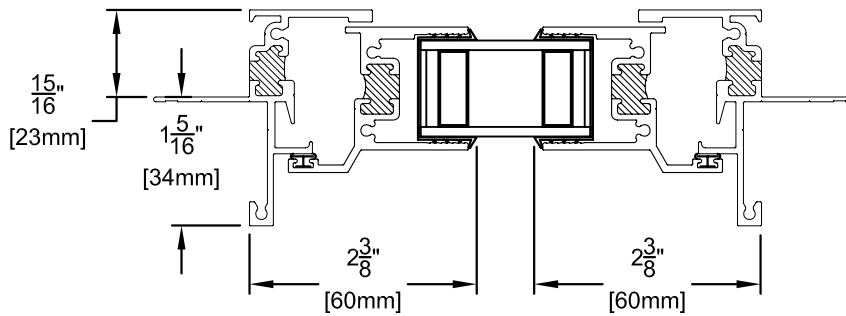
*Windows over 40 square feet shipped open for field glazing.*

# 920 Casement Aluminum Assembly Drawing

*Vertical View*



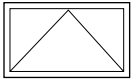
*Horizontal View*



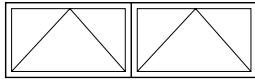
Scale: 6" = 1' (1/2 scale)

Due to continual product research and development, details may be changed at any time. ©2009  
Products shown are not available at all locations – confirm availability with your local Milgard representative.

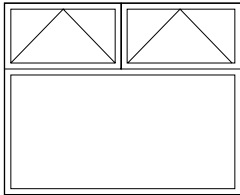
# Awning Windows Milgard Aluminum Window



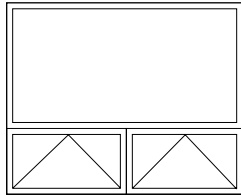
Full awning



Double awning



Double-top awning



Double-bottom awning

**— FULL AWNING**

- 12 square feet maximum vent size
- Min vent width 1<sup>6</sup> Max vent width 4<sup>0</sup>
- Min vent height 1<sup>6</sup> Max vent height 3<sup>0</sup>

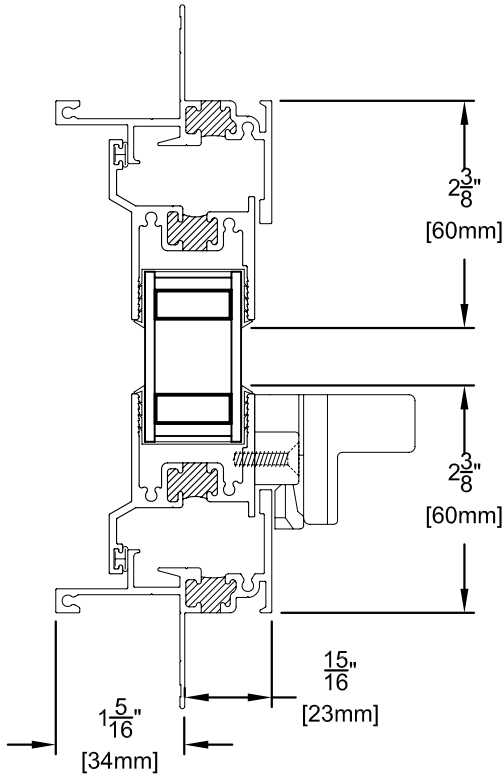
**— DOUBLE AWNING**

- 12 square feet maximum vent size
- Min vent width 3<sup>0</sup> Max vent width 8<sup>0</sup>
- Min vent height 1<sup>6</sup> Max vent height 3<sup>0</sup>

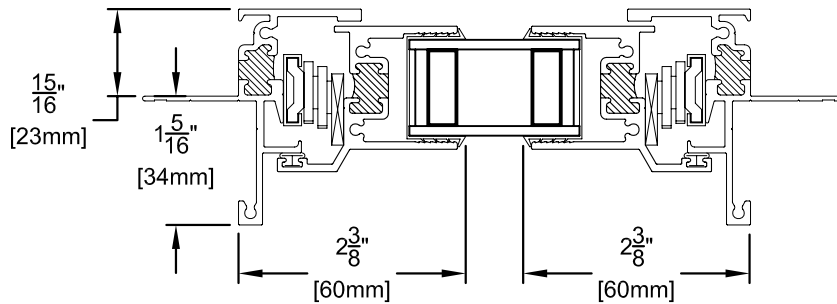
*NOTE: For engineering approval contact your Milgard representative for any configuration over 40 square feet. Each Milgard Manufacturing plant reserves the right to alter or change sizes and configurations according to location capabilities. Ask your Milgard rep about specialty applications and size limits for other configurations.*

*Windows over 40 square feet shipped open for field glazing.*

# 920 Awning Aluminum Assembly Drawing



*Vertical View*



*Horizontal View*

Scale: 6" = 1' (1/2 scale)

Due to continual product research and development, details may be changed at any time. ©2009  
Products shown are not available at all locations – confirm availability with your local Milgard representative.