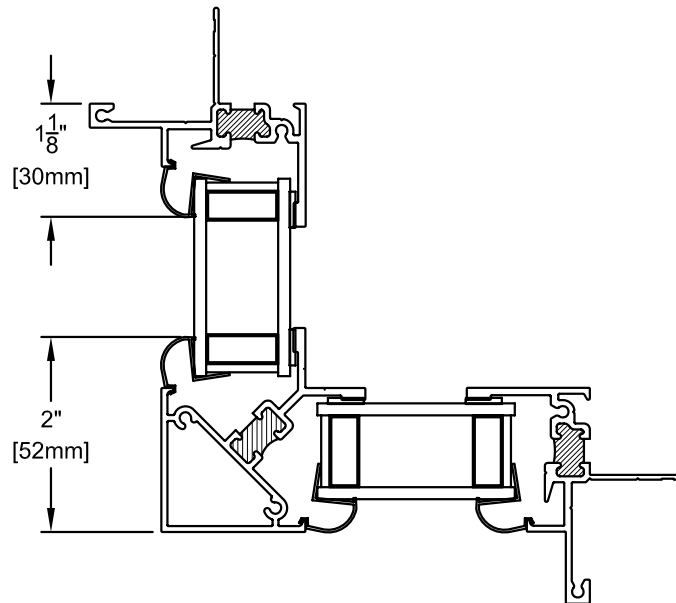


Combinations & Mulls

920 Picture Window Corner Mull

**COMBOS/
MULLS**
SERIES
ALUMINUM



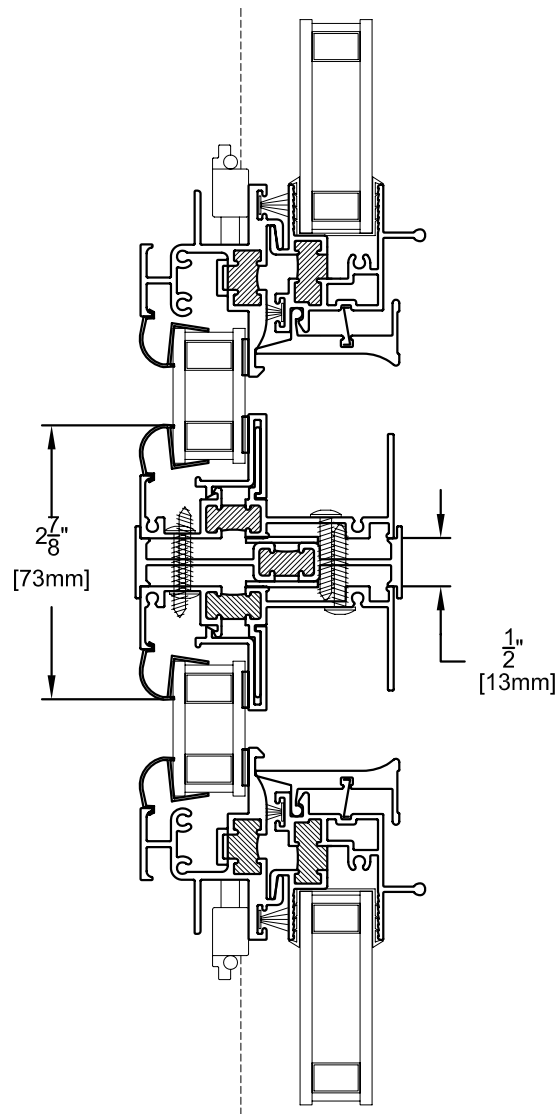
Scale: 6" = 1' (1/2 scale)

Due to continual product research and development, details may be changed at any time. ©2009
Products shown are not available at all locations – confirm availability with your local Milgard representative.

COMBOS/MULLS-2
APRIL 2009

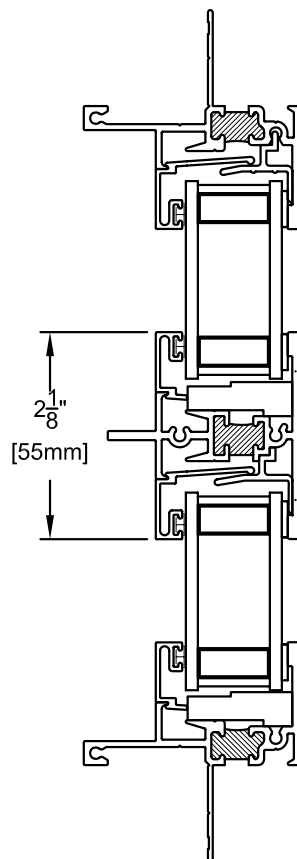
1120 Horizontal Slider Mull

**COMBOS/
MULLS**
SERIES
ALUMINUM



920 T-Bar Picture Window

**COMBOS/
MULLS**
SERIES
ALUMINUM



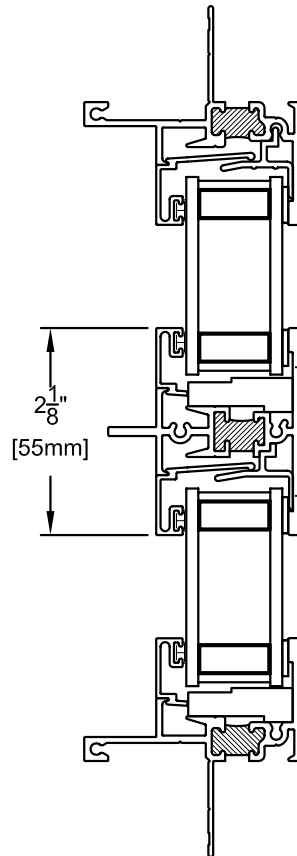
Scale: 6" = 1' (1/2 scale)

Due to continual product research and development, details may be changed at any time. ©2009
Products shown are not available at all locations – confirm availability with your local Milgard representative.

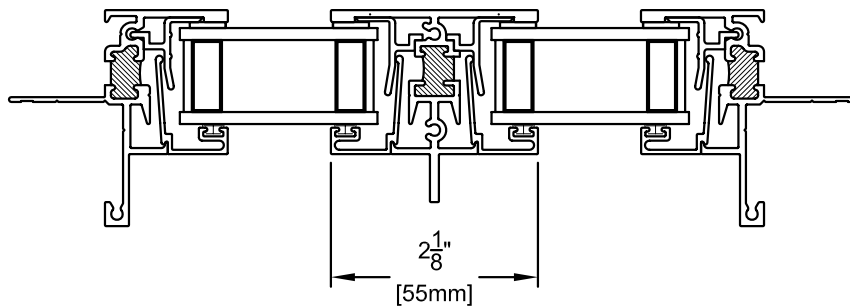
COMBOS/MULLS-4
APRIL 2009

920 Picture Window TDL with Metal Bead

**COMBOS/
MULLS**
SERIES
ALUMINUM



Vertical View



Horizontal View